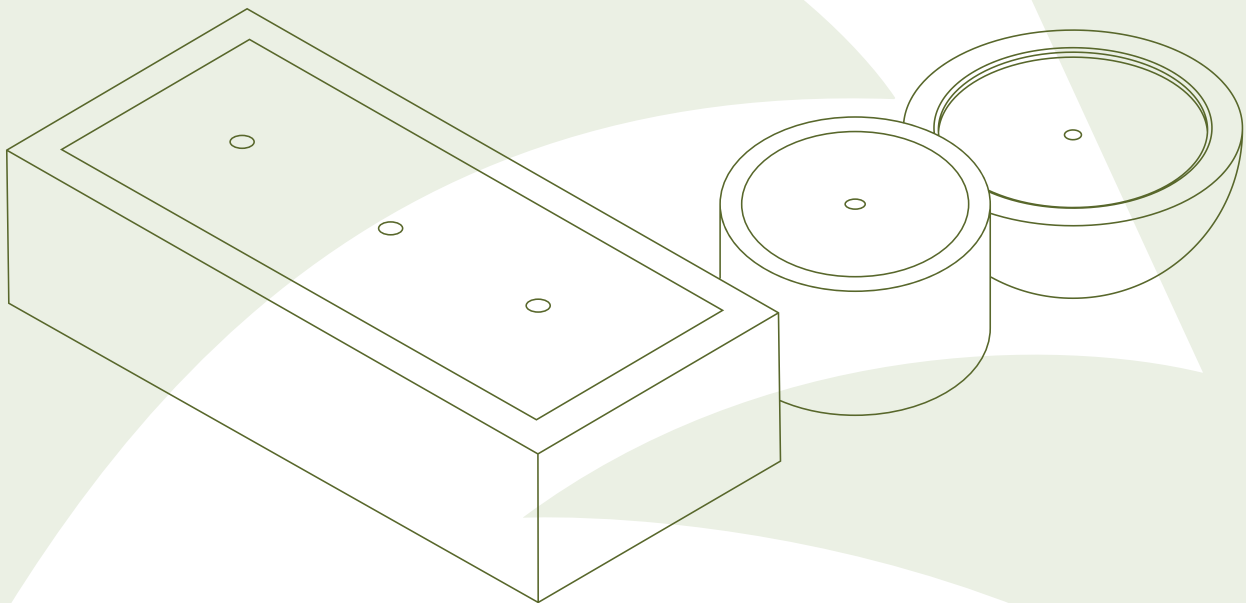


# ADEZZ

DESIGN TO GROW



**Manual**

ALUMINIUM WATER TABLES

# Manual

Aluminium water tables

Thank you for purchasing an ADEZZ aluminium water table.

This manual contains instructions for installing, using and maintaining our aluminium water table.

**Note!** This manual is not for our water table with bowls.

## REQUIREMENTS

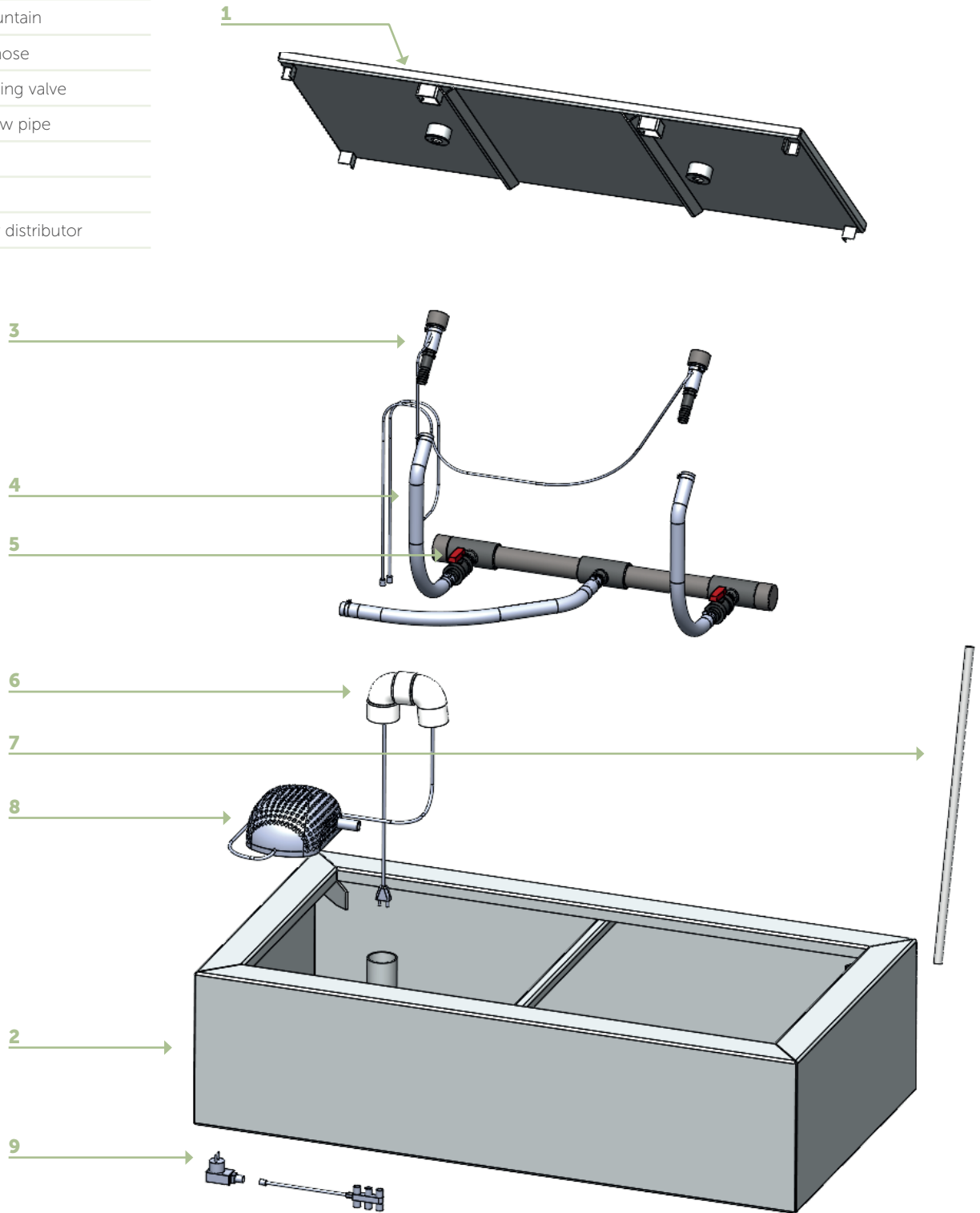
- Plug for self-assembly and correct IP class.
- Conduit: e.g. flexible cable protection conduit or rigid PVC conduit of approx. Ø60 mm.
- Recommended: tension spring for running cables through the conduit.



## Description of parts

The cables in the water table are 10 metres long.

NR.	PARTS
1	Water table top
2	Water table
3	LED fountain
4	Water hose
5	Regulating valve
6	Overflow pipe
7	Rod
8	Pump
9	Six-way distributor



## Description of components

ARTICLE NUMBER	MODEL	DIMENSIONS L x W x H mm	CONTENTS Recommended water content in liters	LED FOUNTAIN Quantity	WATER TAPS Quantity	PUMP Quantity	ROD Quantity	ADAPTERS (for LED)	SIX-WAY DISTRIBUTOR Quantity	RODS Quantity
AB1	Square water table	6000 x 1000 x 400	1500	6	6	VP4	3	2	2	3
AB2	Square water table	5000 x 1000 x 400	1250	5	5	VP4	2	2	2	2
AB3	Square water table	4000 x 1000 x 400	1000	4	4	VP3	2	1	1	2
AB4	Square water table	3000 x 1000 x 400	750	3	3	VP3	2	1	1	2
AB4.1	Square water table	3000 x 800 x 400	600	3	3	VP3	2	1	1	2
AB4.2	Square water table	3000 x 600 x 400	450	3	3	VP3	2	1	1	2
AB5.1	Square water table	2000 x 800 x 400	400	2	2	VP3	1	1	1	1
AB5.2	Square water table	2000 x 600 x 400	300	2	2	VP3	1	1	1	1
AB6.1	Square water table	1500 x 800 x 400	300	2	2	VP3	1	1	1	1
AB6.2	Square water table	1500 x 600 x 400	225	2	2	VP3	1	1	1	1
AB7.1	Square water table	1200 x 800 x 400	240	2	2	VP3	1	1	1	1
AB7.2	Square water table	1200 x 600 x 400	180	2	2	VP3	1	1	1	1
AB11	Square water table	1200 x 1200 x 400	360	1	1	VP1	-	1	-	-
AB12	Square water table	1000 x 1000 x 400	250	1	1	VP1	-	1	-	-
AB13	Square water table	800 x 800 x 400	160	1	1	VP1	-	1	-	-
AB14	Square water table	600 x 600 x 400	90	1	1	VP1	-	1	-	-
ABR1	Round water table	1450 x 750	825	1	1	VP1	-	1	-	-
ABR2	Round water table	1200 x 750	565	1	1	VP1	-	1	-	-
ABR3	Round water table	1000 x 750	390	1	1	VP1	-	1	-	-
ABR4	Round water table	1450 x 400	395	1	1	VP1	-	1	-	-
ABR5	Round water table	1200 x 400	270	1	1	VP1	-	1	-	-
ABR6	Round water table	1000 x 400	185	1	1	VP1	-	1	-	-
ABR7	Round water table	800 x 400	120	1	1	VP1	-	1	-	-
ABB1	BAYOU	1200 x 531	190	1	1	VP1	-	1	-	-
ABB2	BAYOU	1000 x 437	140	1	1	VP1	-	1	-	-



## CHAPTER 1: SAFETY

1.1 Safety instructions	6
-------------------------	---

## CHAPTER 2: RECEIPT

2.1 Unpacking and inspection	6
------------------------------	---

## CHAPTER 3: PLACING & INSTALLING

3.1 Before installation	6
3.2 Installation step by step	7
3.3 After installation	10
3.4 Adjusting the fountains	10

## CHAPTER 4: INSTRUCTIONS FOR USE

4.1 Drawing of the water table	11
4.2 Opening and closing the water table	11
4.3 Filling and emptying	13

## CHAPTER 5: MAINTENANCE

5.1 Water quality	14
5.2 Pump maintenance	15
5.3 Maintenance of aluminium	15
5.4 Maintenance of overflow pipe	15
5.5 Removing lime deposits	15
5.6 Replacing the light	16
5.7 Replacing the pump	19
5.8 Fountain maintenance	19
5.9 Use in frost	22



## Chapter 1: Safety

Read these safety instructions carefully before using the water table.

### 1.1 SAFETY INSTRUCTIONS

- Always move the water table with at least 2 people. Incorrect lifting or moving with too few people can cause physical injury.
- The water table contains electrical components. Failure to strictly follow the instructions can cause serious, possibly life-threatening situations.
- Proceed with caution during all maintenance and cleaning activities. First, switch off the electricity to prevent a short circuit in case of damage to the electrical installation.
- Be careful with body parts in the water table once the pump is switched on. Always unplug the water table before opening it.

## Chapter 2: Receipt

### 2.1 UNPACKING AND INSPECTION

- Always move the water table with at least 2 people. Incorrect lifting or moving with too few people can cause physical injury.
- Unpack the product immediately upon receipt. If this is not done, undesirable and/or difficult to remove stains may appear on the product. This is caused by moisture trapped between the packaging and the material.
- Treat the water table immediately upon receipt with our cleaner & protector. This creates a protective layer on the material.

## Chapter 3: Placing & installing

- Our water tables are delivered partially assembled. The warranty will be void if you drill or grind in a way that is not prescribed by us.
- Ensure proper water drainage from the water table. You can do this by not placing the water table too close to walls, fences, etc. and by ensuring that the overflow pipe is clear.
- The ground on which the water table stands must be permeable to water. If this is not the case (for example, with clay soil), first apply a layer of permeable sand or gravel.

### 3.1 BEFORE INSTALLATION

Follow the steps below before installing the water table.

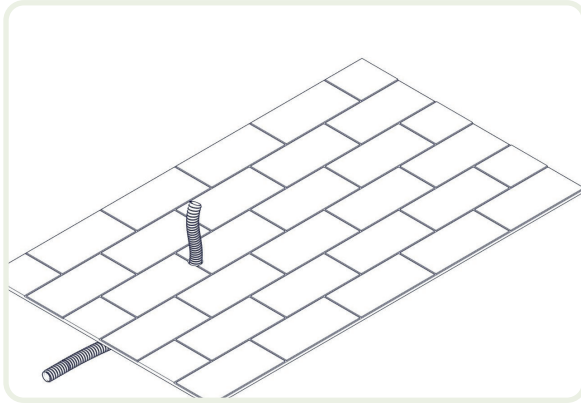
**Note!** Do not lay the cables in the ground without protection. Use a conduit for this. This will prevent the cables from being damaged by pests, for example. The conduit is not included. Buy a conduit that is long enough for the cables (approx. Ø60 diameter). See 'Description of parts' for the diameter and length of the cables.

1. Dig a trench from the power socket to the place where the overflow pipe of the water table will eventually be installed. The trench must be at least 60 cm deep.
2. Place the casing pipe in the trench.
3. Fill the trench with soil.
4. Ensure a flat, solid (tamped) surface that is permeable to water.



**Note!** If this is not done carefully, tension can build up in the product. This can result in damage to the product.

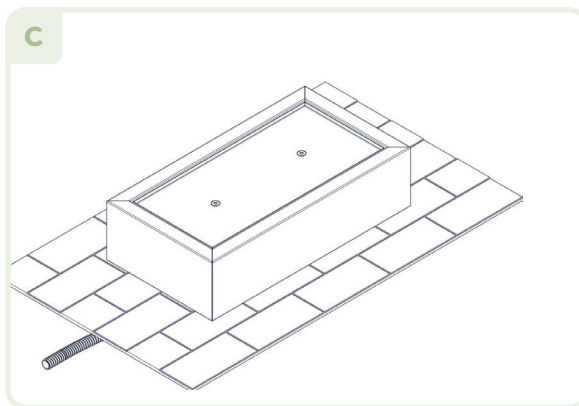
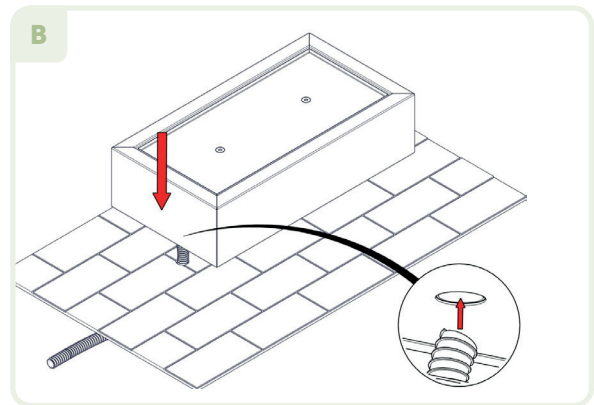
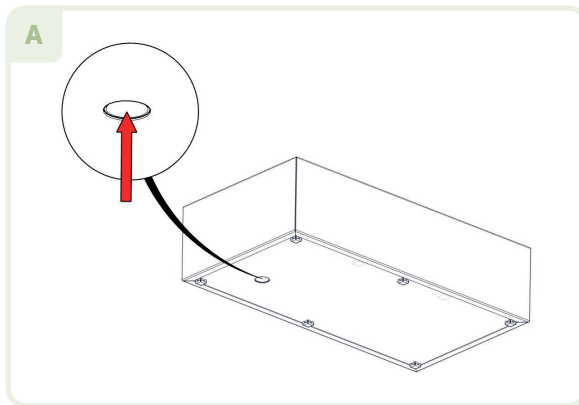
**Note!** Ensure that excess water can drain properly through the bottom.



### 3.2 INSTALLATION STEP BY STEP

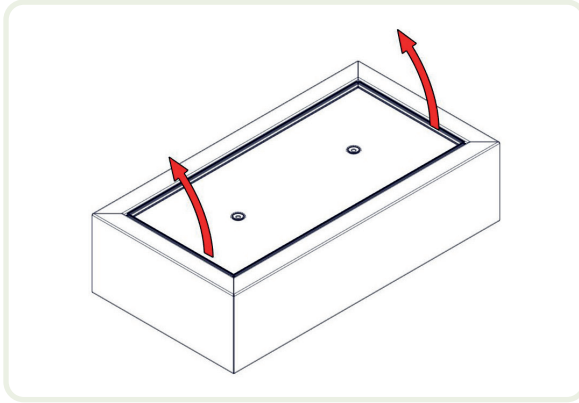
Follow the steps below to install the water table.

1. With at least two people, place the water table in the desired location over the previously installed casing pipe.



- Carefully open the water table. This is done by at least two people lifting the water table top.

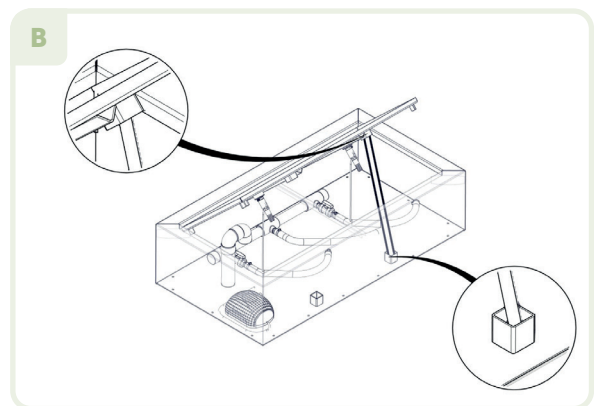
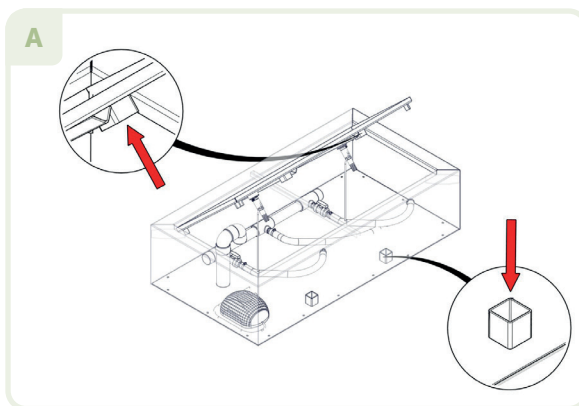
**Note!** Open the water table carefully. If this is not done carefully, you will pull the cables loose or break them.



- Take the supplied rods from the water table and place them in the designated hole.

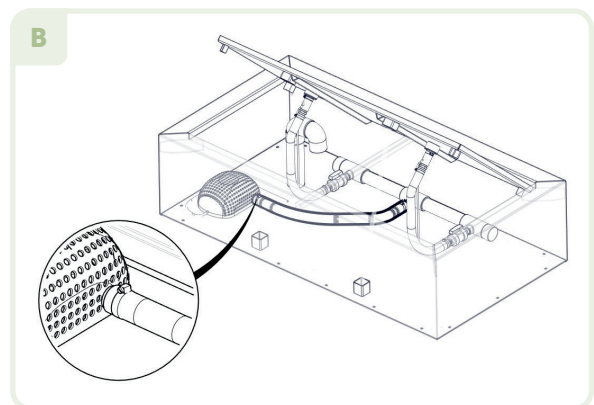
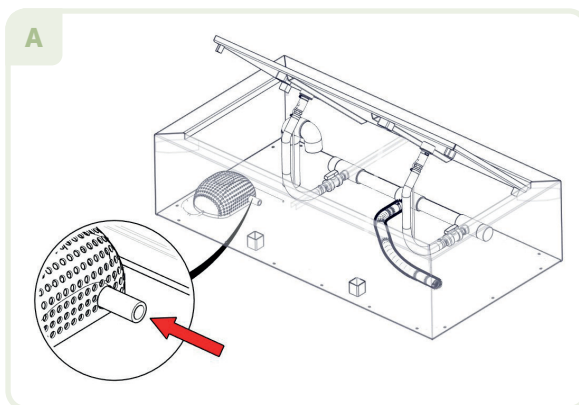
**Note!** No rods are supplied with water tables with 1 LED.

- Secure the top of the rod in the tabletop.



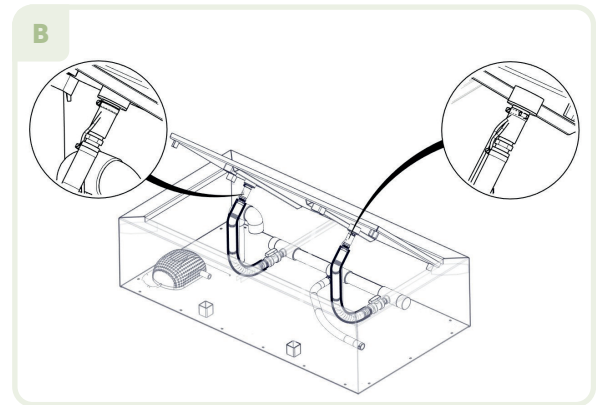
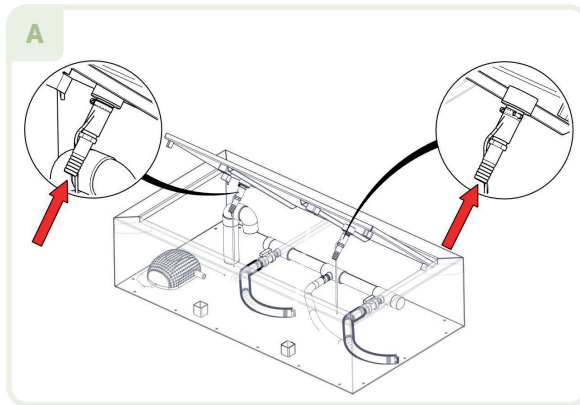
- Carefully release the tabletop to see if it will remain in place.

- Connect the hose of the water installation to the pump. Do this by sliding the hoses over each other and fastening them with the hose clamps that are attached to the hoses.





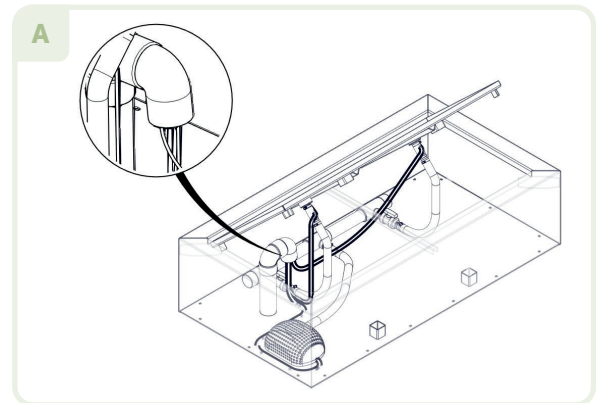
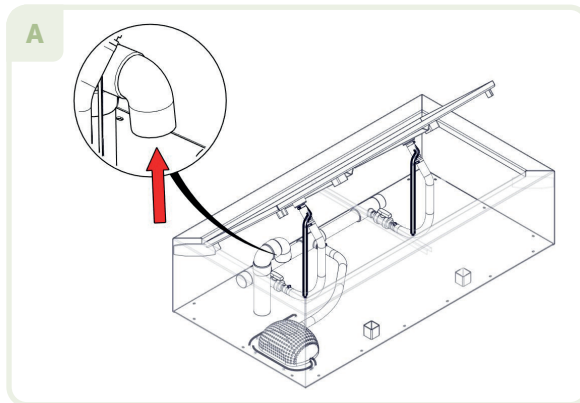
7. Connect the ends of the LED fountains to the water hoses in the water table. Do this by sliding the hoses over each other and securing them with the hose clamps attached to the hoses.



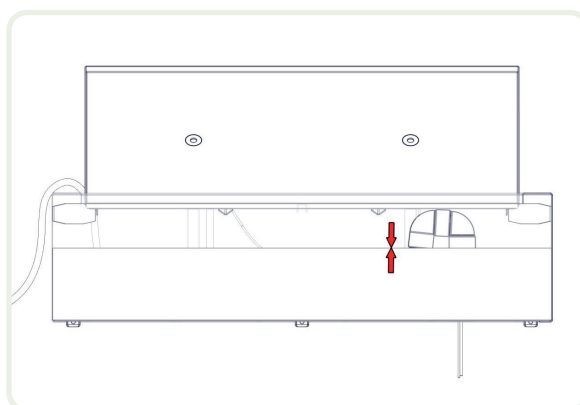
**Note!** In a water table with one LED, the pump is already pre-mounted at the end of the LED. This means it is not necessary to do this.

**Note!** In a water table with more than two LED fountains, the hoses are connected by a Y-piece instead of a T-piece.

8. Run the cables from the water table through the conduit to the socket. You may want to use a tension spring for this.

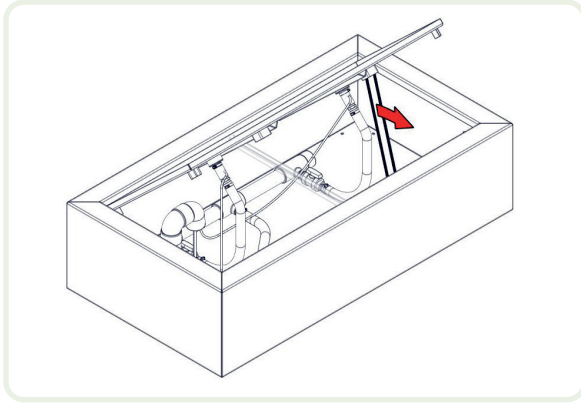


9. Fill the water table with water until it flows out again through the overflow pipe. See paragraph 4.3. 'Filling and emptying' for filling instructions.



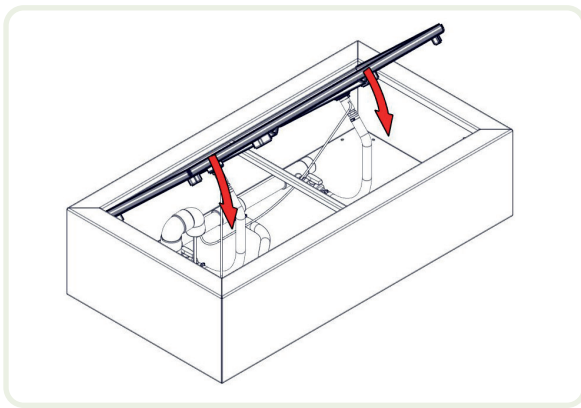
**10.** Carefully lift the top of the water table with at least 2 people.

**11.** Remove the rods from under the water table top.



**12.** Carefully lower the table again until it is stable.

**Note!** Make sure that no cables are pinched when the water table top closes.



The rods for opening the water table are made of plain steel. After use, place them in a dry location to prevent rusting.

### 3.3 AFTER INSTALLATION

- **Note!** It is important that you regularly check the pH value of the water, starting from the first filling. Water with the wrong pH value can damage the powder coating layer of the aluminium. See also paragraph 5.1 'Water quality'.
- Never place any paving right up to the water table, but always leave some space.

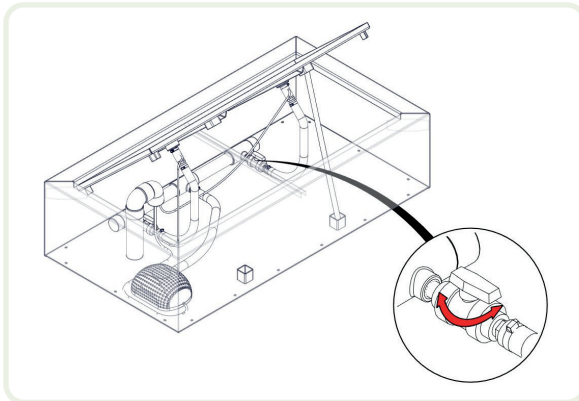
### 3.4 ADJUSTING THE FOUNTAINS

- The valves in the water table regulate the water supply to the fountains. This means that the fountain can also be adjusted.
- After installing and filling the water table, always turn it on first. This allows you to see if the fountains need to be turned up or down.
- The water from the fountains should come out of the fountain in a straight jet approximately 10 centimetres high. If this is not the case, see paragraph 5.8 'Fountain maintenance'.

**Note!** Do not open the water table's top when there is still water on it. First unplug the power cord.

The water will then drain from the top through the fountains. Once the water has completely drained away, the top can be opened.

1. Unplug the fountain.
2. Open the water table. See paragraph 4.2 'Opening and closing the water table' for the correct way to open the water table.
3. Turn the control valve slightly to the right to make the fountain spray harder and to the left to make it spray softer.
4. Turn the control valve as desired for each fountain.



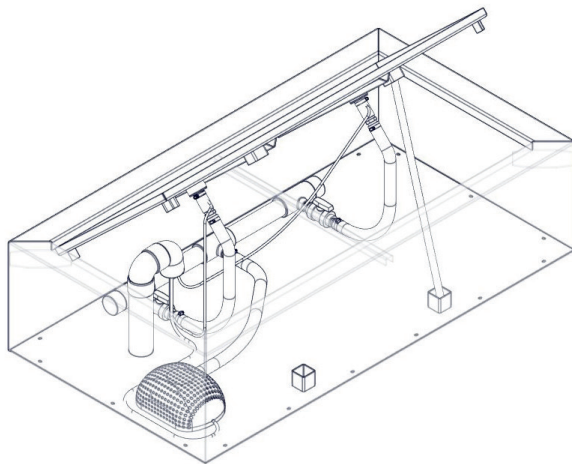
5. Close the water table. See paragraph 4.2 'Opening and closing the water table' for the correct way to close the water table.
6. Turn on the water table and check that the fountains are positioned correctly. The water from the fountains should come out of the fountains at a height of approximately 3 centimetres, in a straight jet.

Repeat steps 1 to 6 if the fountains are not positioned correctly.

## Chapter 4: Instructions for use

The following explains how to use the water table.

### 4.1 DRAWING OF THE WATER TABLE



### 4.2 OPENING AND CLOSING THE WATER TABLE

**Note!** Do not open the water table's top when there is still water on it. First unplug the power cord. The water will then drain from the top through the fountains. Once the water has completely drained away, the top can be opened.

### 4.2.1 Opening the water table

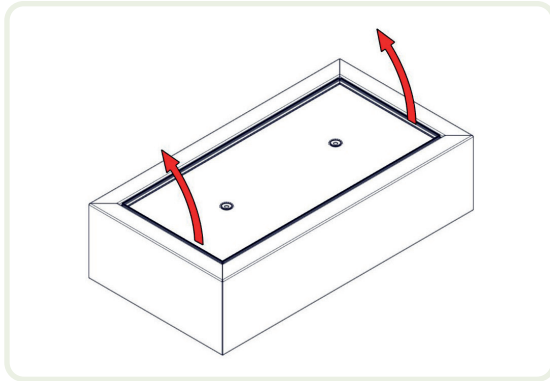
Follow these steps to open the water table.

1. Remove the plugs from the socket.
2. Drain the water table top.

**Note!** Only open the table top when it is completely empty.

3. Carefully open the water table. This is done by at least two people lifting the water table top.

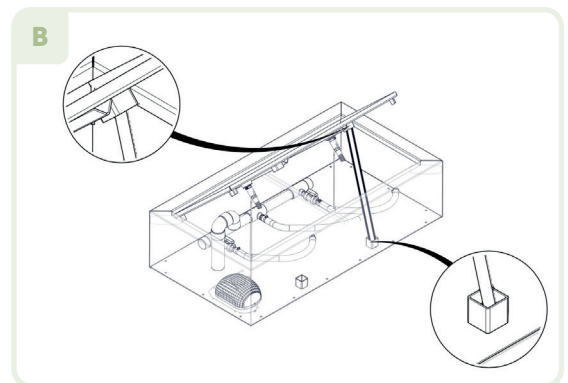
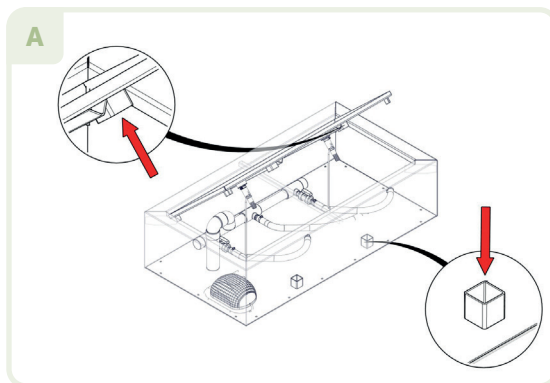
**Note!** Open the water table carefully. If this is not done carefully, you may pull loose or break the cables.



4. Take the supplied rods and place them in the designated hole.

**Note!** No rods are supplied with water tables with 1 LED.

5. Secure the top of the rod in the tabletop.

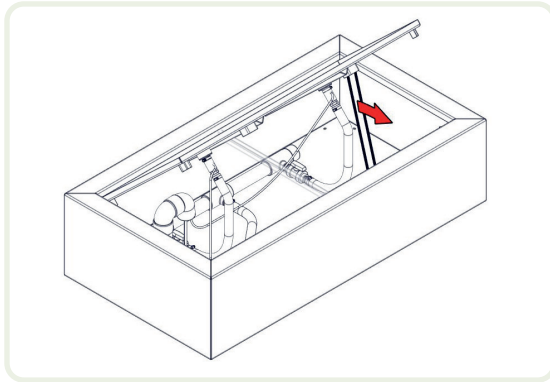


6. Carefully release the table to see if it stays in place.

#### 4.2.2 Closing the water table

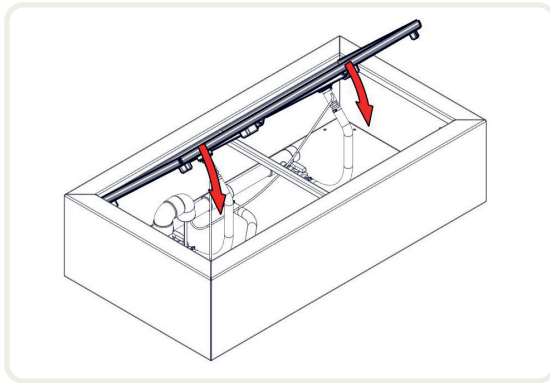
Follow these steps to close the water table.

1. Carefully lift the table top off the water table with at least two people.
2. Remove the rods from under the water table.



3. Carefully lower the table again until it is stable.

**Note!** Make sure that no cables are pinched when the water table top closes.



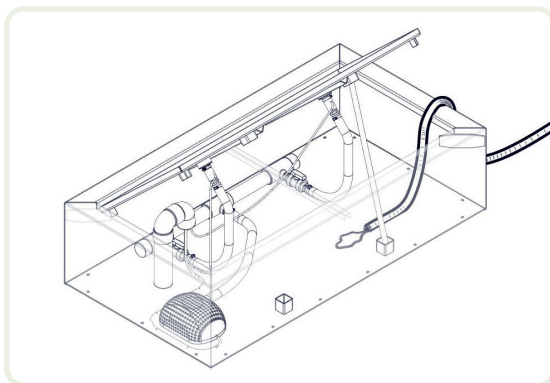
4. Plug the power cords back into the socket to turn the water table on.

### 4.3 FILLING AND EMPTYING

#### 4.3.1 Filling the water table

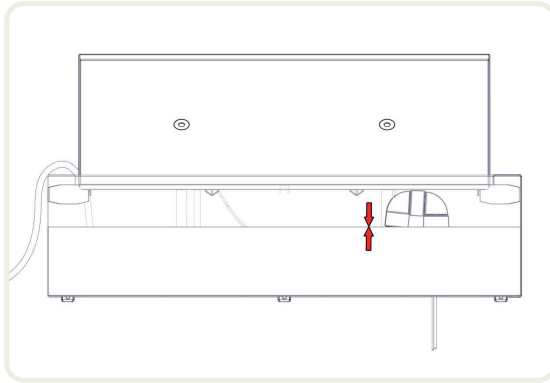
Follow the steps below to properly fill the water table.

1. Open the water table. See paragraph 4.2 'Opening and closing the water table' for instructions on how to properly open the water table.
2. Hang the garden hose in the water table.



3. Fill the water table up to the bottom edge of the curved overflow pipe.

**Note!** It is not a problem if the water table is filled a little more. The excess water will flow away through the overflow pipe.



4. Close the water table. See paragraph 4.2 'Opening and closing the water table' for the correct way to close the water table

**Note!** Check the water level regularly. The water should always reach the overflow pipe. Top up the water table if this is not the case.

### 4.3.2 Emptying the water table

**Note!** In the event of frost, the water table does not need to be emptied, but measures must be taken to prevent damage, such as the pump freezing and breaking. See paragraph 5.9 'use in frost' for use in frost.

**Note!** The water table does not need to be emptied for maintenance. See chapter 5 'Maintenance' for maintenance.

Follow the steps below to properly empty the water table.

1. Open the water table. See paragraph 4.2 'Opening and closing the water table' for the correct way to open the water table.
2. Empty the water table by placing the hose from the pump outside the water table.  
**Note!** The pump must always remain submerged! Turn off the pump as soon as the water level is just above the pump.
3. Scoop out the rest of the water from the water table until it is completely empty.

## Chapter 5: Maintenance

The aluminium water table requires regular maintenance. Completely empty the water table every 3 months, clean it thoroughly and refill it with clean water. This prevents damage to the powder coating. Also, continue to check the pH level regularly. It should be neutral (7).

- See paragraph 4.3.2 'Emptying the water table' for instructions on emptying the water table.
- See the information below for maintenance and cleaning of the water table.

**Note!** Be careful when performing any maintenance or cleaning. First switch off the electricity to prevent a short circuit in case of damage to the electrical installation.

### 5.1 WATER QUALITY

#### 5.1.1 Acidity

- **Note!** The water table is a maintenance-sensitive product. The pH value of the water must always be neutral (7).
- It is important to test the pH level of the water once every two weeks after installation and before first use. Once the pH level remains neutral (7), testing can be reduced. Continue to check regularly!
- Only use pH+ and pH- to neutralise the water. Using other products may void the warranty.

- Always follow the (safety) instructions of the pH+ and pH- product. The product must always be added to water, not to an empty water table.
- If the pH value is not kept neutral (7), this can damage the powder coating of the water table.

### 5.1.2 Limescale

- When measuring the pH value, also check for limescale. Limescale will form mainly on the edges of the water table. This can be caused by splashing water, for example.
- Remove limescale using ADEZZ BIO descaler. Always follow the (safety) instructions on the label. See paragraph 5.5 'Removing limescale' for an explanation on how to remove limescale.

### 5.1.3 Coarse dirt

Blown-in leaves and branches should be removed from the water table top. These have an adverse effect on the water quality and material quality.

Small stones, rust particles, etc. larger than 5 mm are stopped by the filter in the pump. The filter should be cleaned regularly. Otherwise, the pump may hum or break down.

### 5.1.4 Organic contamination

Pollution due to substances and bacteria adhering to the material. For example, a green deposit on the water table. It is important to maintain aluminium properly. See section 5.3 'maintenance of aluminium' for aluminium maintenance.

### 5.1.5 Chlorine & salt

**Note!** Do not add chlorine or salt to the aluminium water table, as this can damage the material. These agents cause accelerated corrosion, which can damage the coating of the aluminium.

## 5.2 PUMP MAINTENANCE

Small stones, rust particles, etc. larger than 5 mm are stopped by the filter in the pump. The filter should be cleaned regularly. Otherwise, the pump may hum or break down.

Follow the pump manual for cleaning the pump. The pump's manual is included with the water table. If the manual is missing, please contact our customer service.

## 5.3 MAINTENANCE OF ALUMINIUM

- To enjoy the aluminium water table for a long time, it is important to maintain the product properly. Treat the aluminium water table with our cleaner & protector immediately upon receipt and at least twice a year thereafter.
- The cleaner will clean the water table, after which the product is treated with the protector. This gives the product a new, protective layer of wax.
- Only clean the water table when it is empty. This is because the cleaner & protector affect the pH value of the water. See section 4.3. 'Filling and emptying' for emptying instructions.

### Instructions for use cleaner & protector:

1. Rinse off coarse dirt with water.  
**Note!** Do not use a high-pressure cleaner. This will damage the coating.
2. Clean the water table with hot, not boiling water and a clean, cotton cloth. Do this in sections, e.g. per side.
3. Spray the cleaner on the polished surface and let it soak in for at least 1 minute.
4. Clean the area sprayed with the cleaner thoroughly. Use water and a rough brush.  
**Note!** Do not use a high-pressure cleaner. This will damage the coating.
5. Rinse the water table with clean water.
6. Apply the protector to a clean, soft cloth.
7. Rub the surface of the water table with the soft cloth.
8. Wipe with a clean, dry, soft cloth to remove any residue from the product.



Treat the entire outside of the water table, including the water table top. The inside of the aluminium water table does not need to be treated with cleaner & protector.

**Note!** Do not add chlorine or salt to the aluminium water table, as this may damage the material. These agents cause accelerated corrosion, which can damage the aluminium coating.

**Note!** 1 day after cleaning and refilling the water table, test the pH value of the water. This is because the cleaner & protector can affect the pH value. The pH value of the water should always be neutral (7). See section 5.1 'Water quality' for properly maintaining the pH value of the water.

#### 5.4 MAINTENANCE OF OVERFLOW PIPE

Every six months, flush the overflow pipe of the water table. You do this in the following way:

- Unplug the power cords.
- Open the water table. See section 4.2 'Opening and closing the water table' for correct opening of the water table.
- Hold the garden hose against the overflow pipe. (Overflow pipe number X on picture Y).
- Turn on the tap so that the water flows through the garden hose.
- Make sure the water flows through the overflow. In this way, check that nothing is stuck in the overflow.
- Rinse the overflow pipe clean.
- Close the water table. See section 4.2 'Opening and closing the water table' for how to close the water table correctly.

#### 5.5 REMOVING LIME DEPOSITS

When measuring the pH value, also check for limescale. Lime will mainly form on the edges of the water table. This can be caused by splashing water, for example. It is imperative that you remove limescale.

Follow the following steps to remove limescale. **Note!** Always follow the safety instructions on the label of the limescale remover.

1. Unplug the power cords.
2. Make sure the top of the water table is empty.
3. Spray the descaler from the bottle onto the areas where there is limescale.
4. Leave for a few seconds.
5. Rub out the descaler in circles with a soft sponge.
6. Rinse with clean water.

**Note!** After descaling the water table, test the pH value of the water. Do this as soon as you have turned the water table back on and the top has filled up. The pH value of the water should always be neutral (7). See section 5.1 'Water quality' for properly maintaining the water's pH level.

#### 5.6 REPLACING THE LIGHT

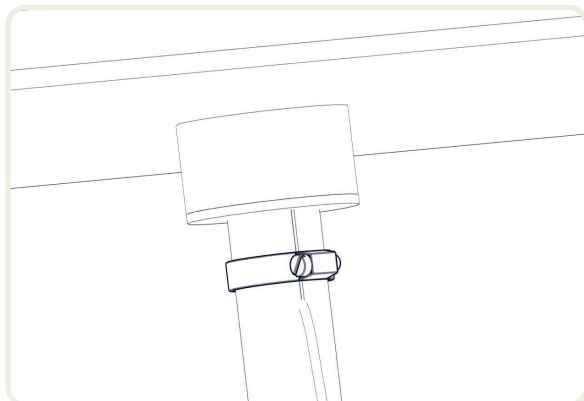
**Note!** Make sure the LED fountain is fixed straight in the top of the water table and that the water hose is not crooked. This may cause the fountain to spray crookedly.

In case of replacement, use only electronic parts supplied by ADEZZ.

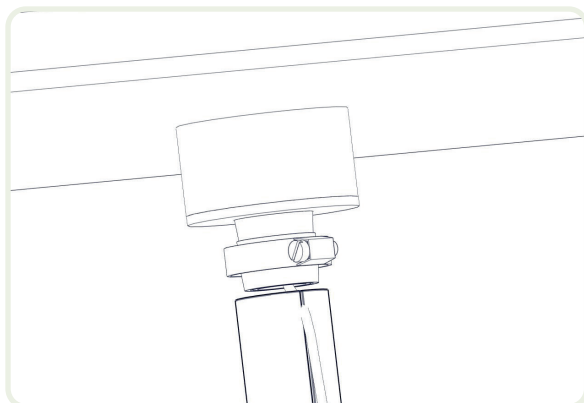




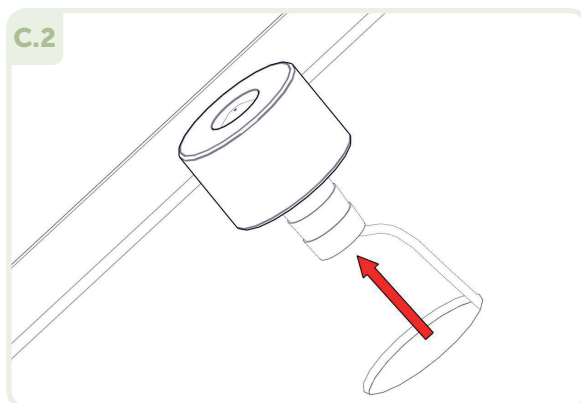
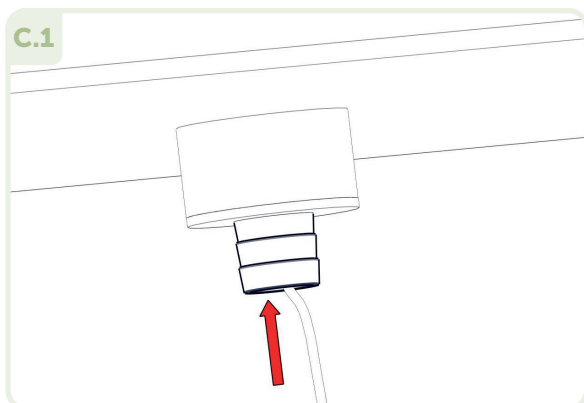
1. Unplug the power cords.
2. Open the water table. See section 4.2 'Opening and closing the water table' for proper opening of the water table.
3. Replace the LED fountain in the following manner:
  - A. Loosen the hose clamp.



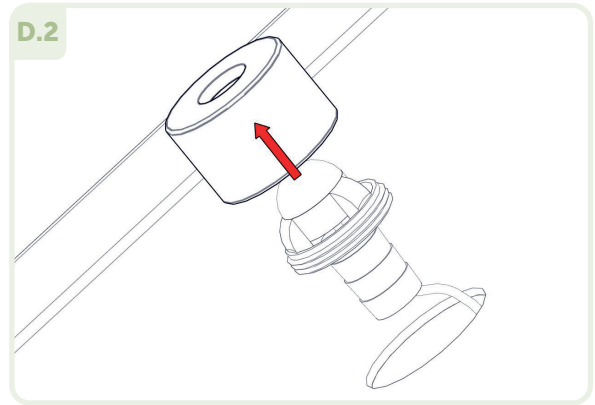
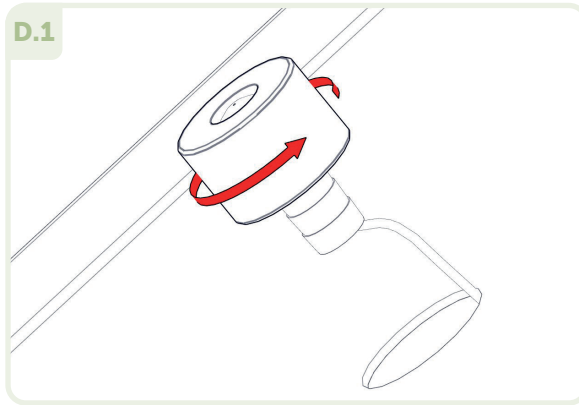
- B. Remove the water hose from the LED.



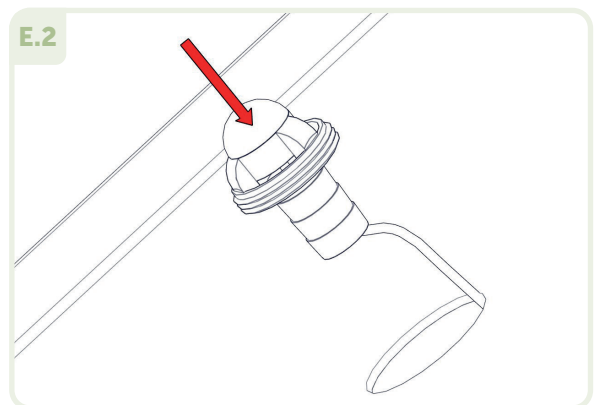
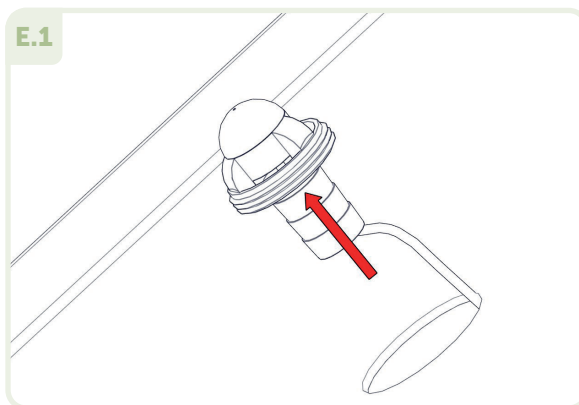
- C. Remove the LED fountain from the water table top.



**D.** Unscrew the cap from the LED

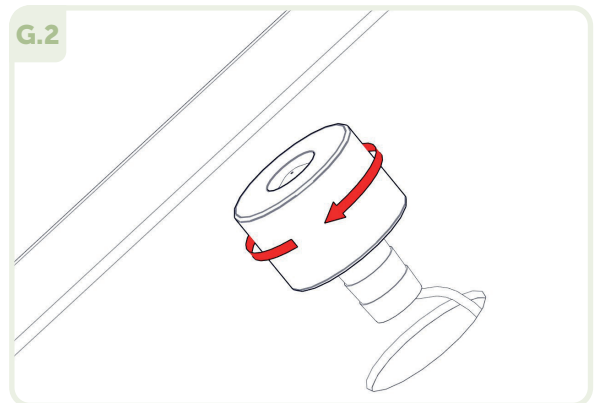
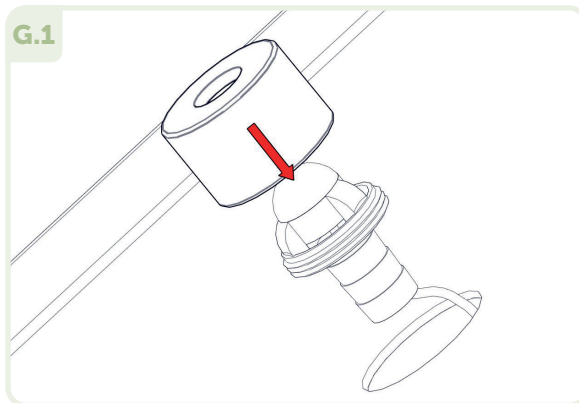


**E.** Replace the LED fountain. Take the entire plug through the casing tube and through the hole of the water table top. The new LED fountain must also go through the casing tube back to the plug point. Use a tension spring for this, if necessary.

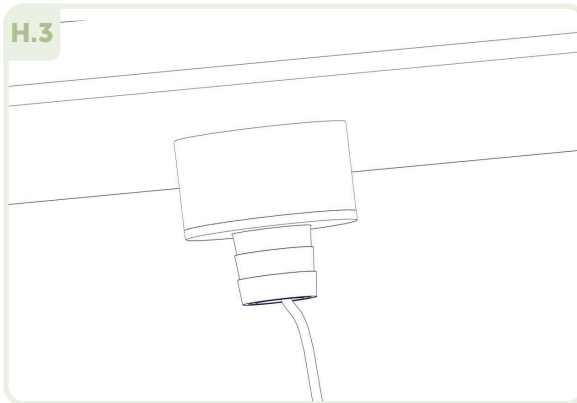
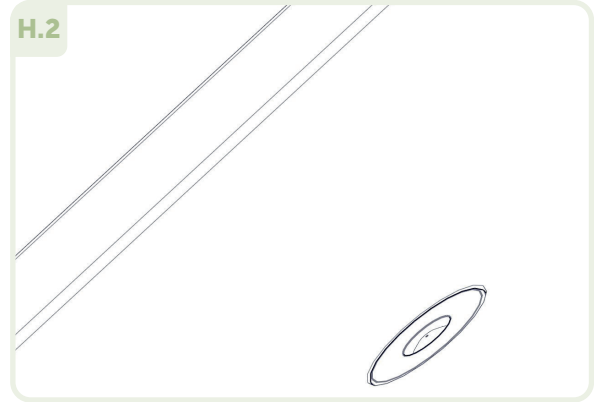
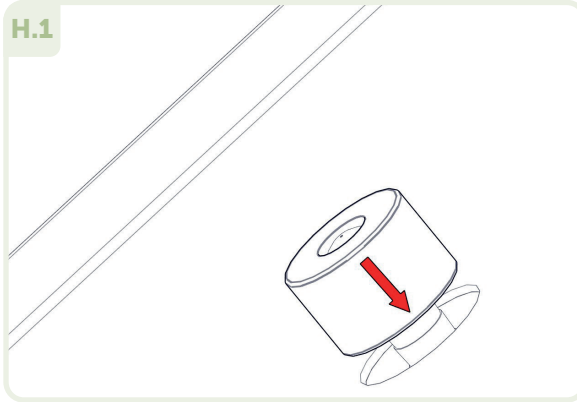


**F.** Clean the ring between the lamp and the holder.

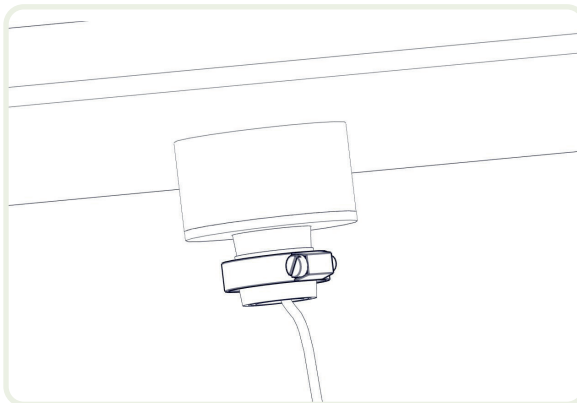
**G.** Put the cap on the LED fountain and tighten it again.



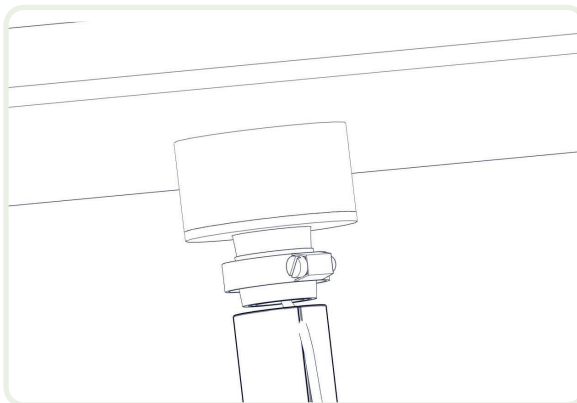
**H.** Put the LED fountain back in the water table top.



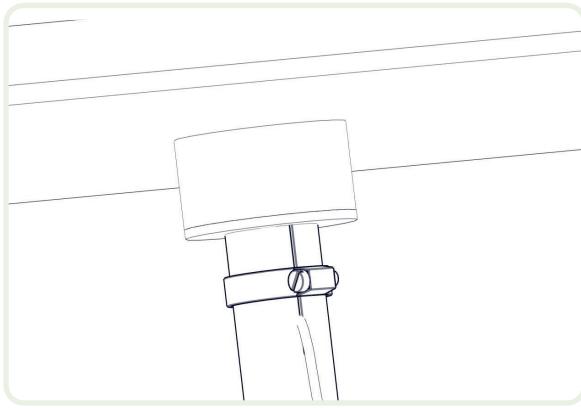
**I.** Put the hose clamp on the LED fountain.



**J.** Push the LED fountain back into the water hose.



**K.** Tighten the hose clamp again



- 4.** Close the water table. See section 4.2 'Opening and closing the water table' for correct closing of the water table.
- 5.** Check the operation of the lights.

### 5.7 REPLACING THE PUMP

In case of replacement, use only electronic parts supplied by ADEZZ.

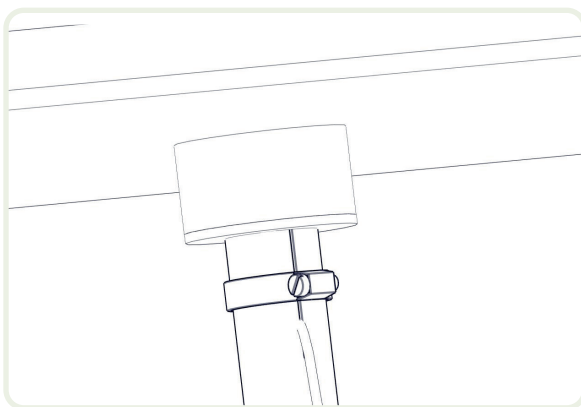
- 1.** Unplug the power cords.
- 2.** Open the water table. See section 4.2 'Opening and closing the water table' for proper opening of the water table.
- 3.** Replace the pump as described in the pump manual. This is supplied with the new pump. Please contact our customer service if this is not the case.
- 4.** Close the water table. See section 4.2 'Opening and closing the water table' for correct closing of the water table.
- 5.** Check the operation of the lights.

### 5.8 FOUNTAIN MAINTENANCE

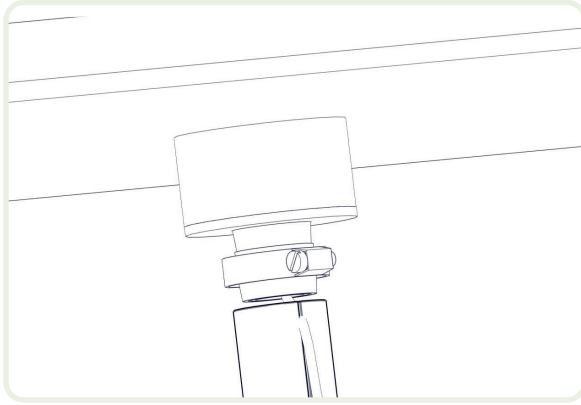
The water from the fountains should come out about 10 centimetres high, in a straight jet. If this is not the case, this can have a number of causes.

- There is visible dirt in the fountain. Unplug the water table and remove the dirt from the fountain. Then turn the water table back on. No improvement? Then look further.
- Make sure the fountains are not adjusted too hard or too soft. See section 3.4 'Adjusting the fountains' for correct adjustment.
- There is small debris between the LED fountain and the water table top.

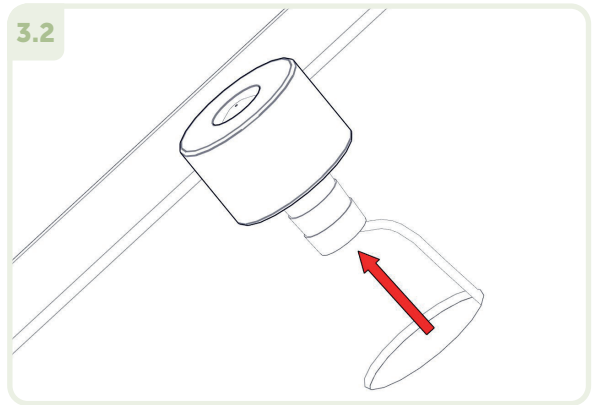
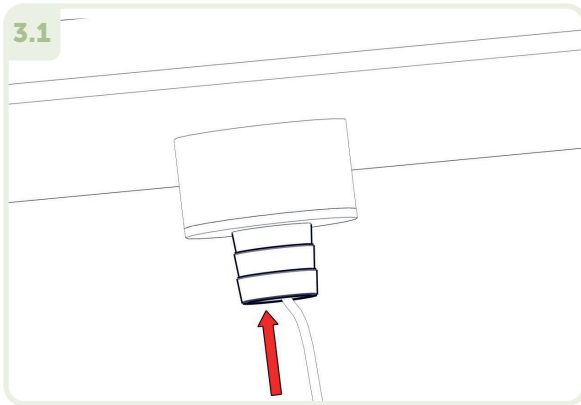
**1.** Loosen the hose clamp.



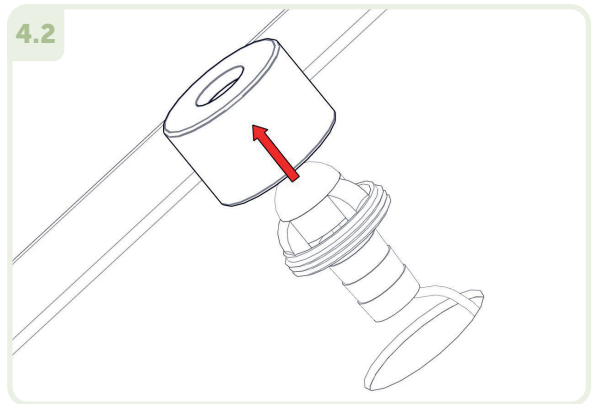
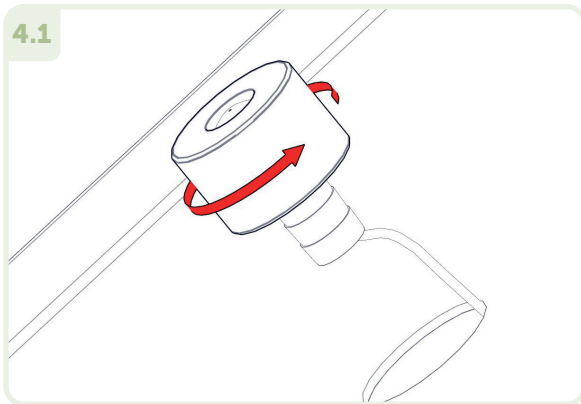
2. Remove the water hose from the LED.



3. Remove the LED fountain from the water table top.

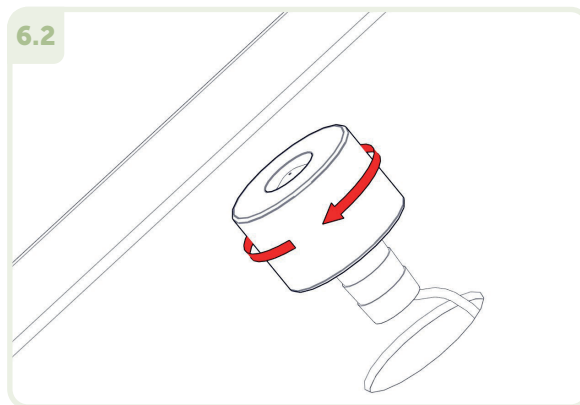
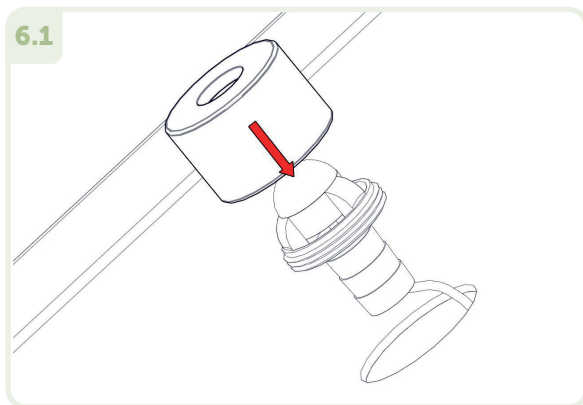


4. Unscrew the cap from the LED.

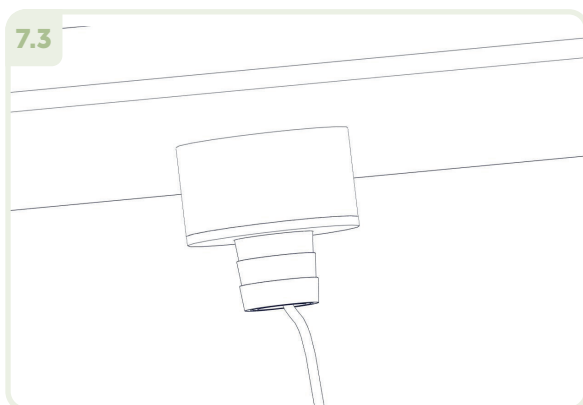
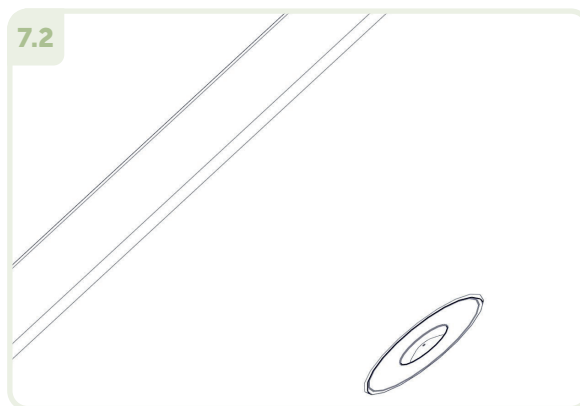
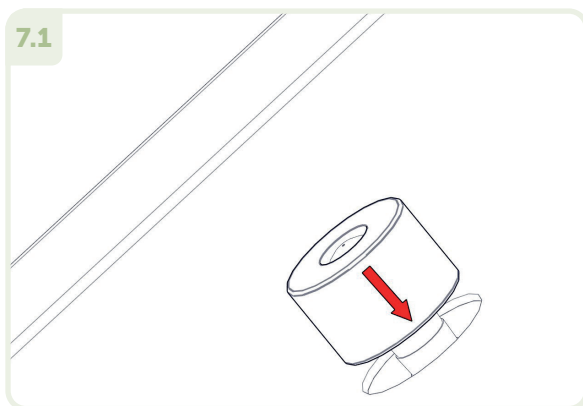


5. Clean the ring between the lamp and the holder.

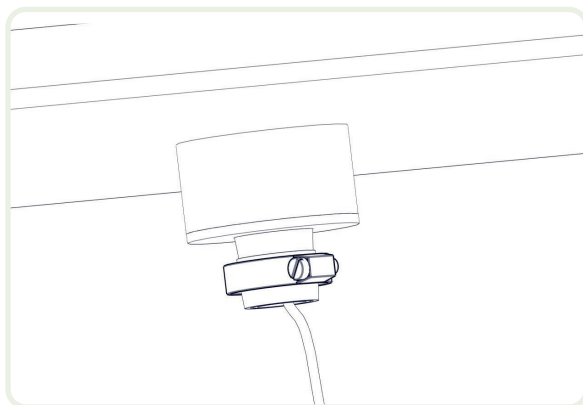
6. Put the cap on the LED fountain and tighten it again.



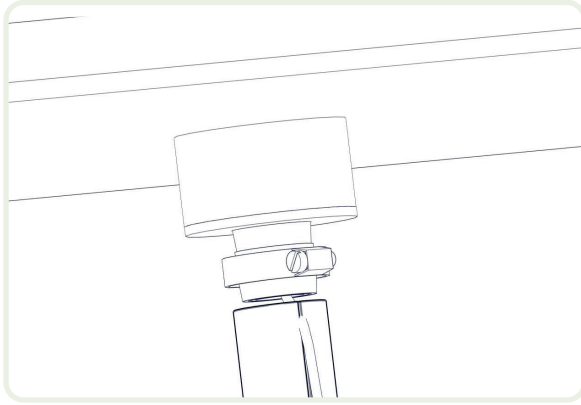
7. Put the LED fountain back in the water table top.



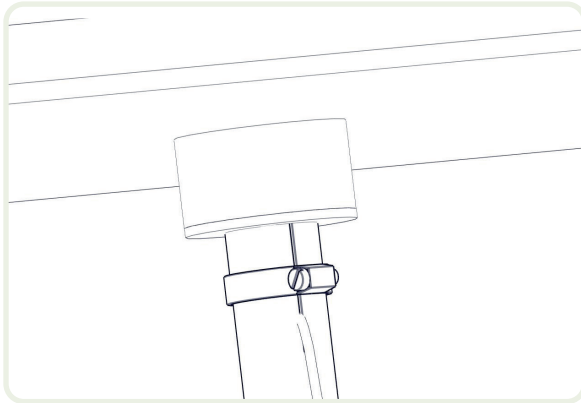
8. Put the hose clamp on the LED fountain.



9. Push the LED fountain back into the water hose.



10. Tighten the hose clamp again.



11. Close the water table. See section 4.2 'Opening and closing the water table' for how to close the water table correctly.
12. Make sure that the LED fountain is fixed straight in the top of the water table and that the water hose is not crooked.

## 5.9 USE IN FROST

The water table requires extra attention during frost. Follow the steps below to ensure that the water table's pump does not freeze during frost.

**Note!** Always remove the plug from the socket in case of frost!

1. Open the water table. See section 4.2 'Opening and closing the water table' for the correct opening of the water table.
2. Place a frost-free container in the water table.
3. Always keep the pump submerged so that limescale does not form.